

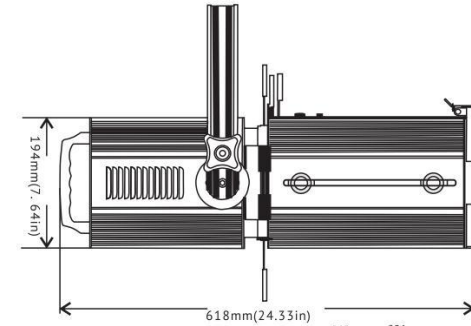
Zoom Lens LED Ellipsoidal Spotlight



Specification

Product model	VG-LVF300Z	VG-LVF200Z	VG-LVF200Z-B
Light sources	300W high CRI COB LED lamp	200W high CRI COB LED lamp	200W high CRI COB LED lamp
Input power	AC100-240V, 50/60Hz	AC100-240V, 50/60Hz	AC100-240V, 50/60Hz
Power	350W	250W	250W
CRI	Ra≥92	Ra≥92	Ra≥92
Color temp.	3200K/5600K optional	3200K/5600K optional	3200K-5600K optional
Dimmer	0-100% linear dimmer	0-100% linear dimmer	0-100% linear dimmer
Control panel	LCD display+4 buttons	LCD display+4 buttons	LCD display+4 buttons
DMX channel	3CH	3CH	5CH
Beam angle	17-50°	17-50°	17-50°
Cooling system	Copper tube convector	Copper tube convector	Copper tube convector
Control mode	DMX512, Color correction	DMX512, Color correction	DMX512, Color correction
IP rating	IP 20	IP 20	IP 20
Accessories	DMX Cable; Power cable	DMX Cable; Power cable	DMX Cable; Power cable
Net weight	10.5kg	10kg	10kg
Body size	618*194*200mm	618*194*200mm	618*194*200mm

Product details



VG-LVF300Z/VG-LVF200Z DMX Channel				VG-LVF160Z-B DMX Channel					
3CH	1	2	3	5CH	1	2	3	4	5
%	Dimmer	Strobe	4 Dim	%	General Dimmer	Fixed Color Temp	WW Dimmer	CW Dimmer	Strobe
100% 0%	0% 100%	0-100%	0-100%	100% 0%	0-100%	3200K 5600K	WW 0-100%	CW 0-100%	0-100%

